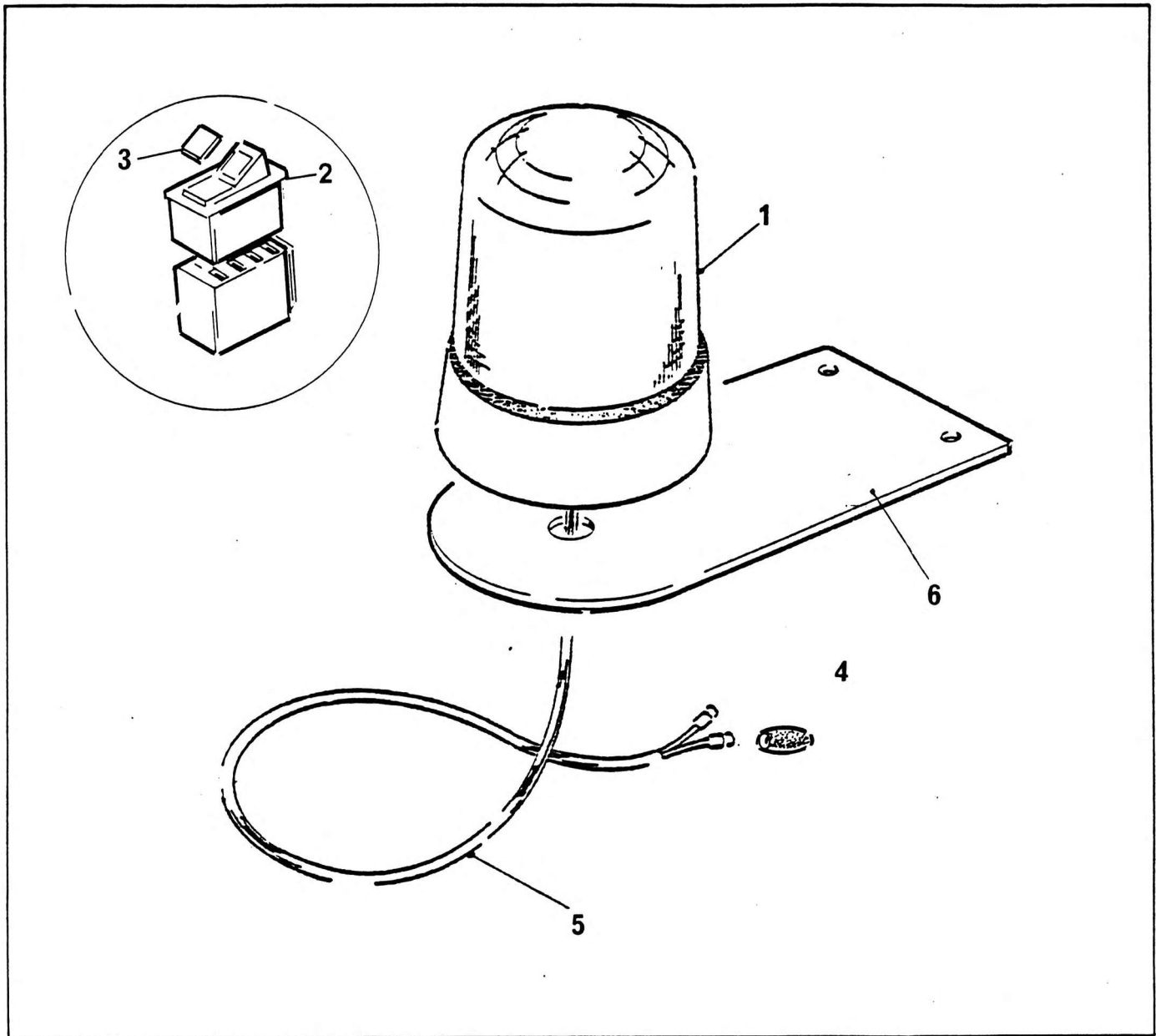


TWIN ROTATING BEACONS - CARRIER CAB



| NO. | PART NO. | QTY. | DESCRIPTION | NO. | PART NO. | QTY. | DESCRIPTION |
|-----|--------------|------|---------------------------------|-----|----------|------|-------------|
| 1 + | 7-581-990193 | 2 | Rotating Beacon 24v | | | | |
| 2 | 8387661 | 1 | Switch Rocker S-P 2 Position | | | | |
| 3 | 7-589-990043 | 1 | Lens Insert Beacon | | | | |
| 4 | 8735021 | 4 | Snap Nipple | | | | |
| 5 | 513593 | 1 | Cable Twin Circ. 14/03 | | | | |
| 6 | 6-184-991202 | 1 | Bracket Beacon Mounting | | | | |

6-978-990584
Issue No. 00